

Torque limiting tristar knobs / screws

SPECIFICATION

Knob
 SUPER-Technopolymer
 glass fiber reinforced
 black, matte

Torque limiting mechanism
 Steel, hardened

Other parts
 Steel, blackened

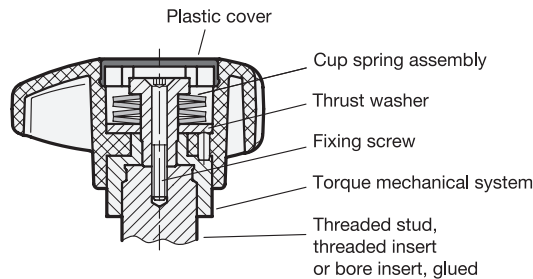
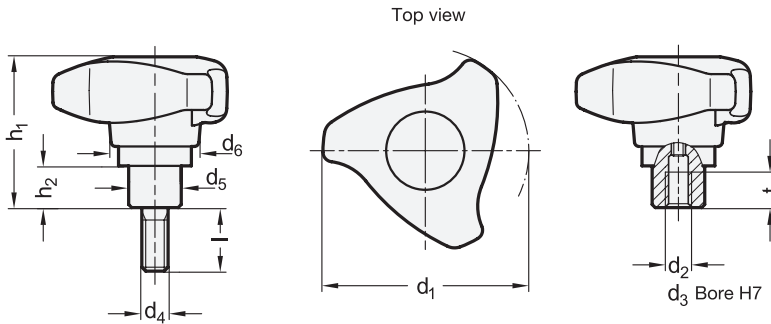
Cover
 Plastic light gray

INFORMATION

Torque limiting tristar knobs GN 3664 are used when the torque applied by hand must be set or limited. When turned clockwise, the torque mechanism of the tristar knob triggers a "slipping" effect after the specified torque is reached. When turned anti-clockwise, the mechanism locks up to disable any torque limiting. This ensures that a maximum permissible torque is not exceeded, while the torque required for loosening is always transmitted reliably.

ON REQUEST

- Other dimensions of bore inserts or threaded inserts analog GN 300 (see page 320)
- Other inserts with special threaded studs analog GN 306 (see page 340)
- Other torques
- Torques limiting turning anti-clockwise or turning anti-clockwise and clockwise





GN 3664-torque limiting tristar knobs

Description	d1	d2	d3 H7	d4	d5	d6	h1	h2	t min.	Torque ±10% in Nm	
GN 3664-50-M6-2	50	M6	-	M6	13.5	23.6	41.6	10.7	11	2	62
GN 3664-50-M6-3	50	M6	-	M6	13.5	23.6	41.6	10.7	11	3	62
GN 3664-50-M6-4	50	M6	-	M6	13.5	23.6	41.6	10.7	11	4	63
GN 3664-50-M8-2	50	M8	-	M8	13.5	23.6	41.6	10.7	11	2	60
GN 3664-50-M8-3	50	M8	-	M8	13.5	23.6	41.6	10.7	11	3	60
GN 3664-50-M8-4	50	M8	-	M8	13.5	23.6	41.6	10.7	11	4	61
GN 3664-63-M8-3.2	63	M8	-	M8	16	28.1	46.6	12.9	14	3.2	104
GN 3664-63-M8-4	63	M8	-	M8	16	28.1	46.6	12.9	14	4	104
GN 3664-63-M8-4.7	63	M8	-	M8	16	28.1	46.6	12.9	14	4.7	106
GN 3664-63-M10-3.2	63	M10	-	M10	16	28.1	46.6	12.9	14	3.2	101
GN 3664-63-M10-4	63	M10	-	M10	16	28.1	46.6	12.9	14	4	101
GN 3664-63-M10-4.7	63	M10	-	M10	16	28.1	46.6	12.9	14	4.7	103
GN 3664-80-M10-4	80	M10	-	M10	19	34.1	56.2	16.8	17	4	172
GN 3664-80-M10-5.5	80	M10	-	M10	19	34.1	56.2	16.8	17	5.5	172
GN 3664-80-M10-7.5	80	M10	-	M10	19	34.1	56.2	16.8	17	7.5	174
GN 3664-80-M12-4	80	M12	-	M12	19	34.1	56.2	16.8	17	4	167
GN 3664-80-M12-5.5	80	M12	-	M12	19	34.1	56.2	16.8	17	5.5	167
GN 3664-80-M12-7.5	80	M12	-	M12	19	34.1	56.2	16.8	17	7.5	169
GN 3664-50-B6-2	50	-	B6	-	13.5	23.6	41.6	10.7	11	2	62
GN 3664-50-B6-3	50	-	B6	-	13.5	23.6	41.6	10.7	11	3	62
GN 3664-50-B6-4	50	-	B6	-	13.5	23.6	41.6	10.7	11	4	63
GN 3664-50-B8-2	50	-	B8	-	13.5	23.6	41.6	10.7	11	2	57
GN 3664-50-B8-3	50	-	B8	-	13.5	23.6	41.6	10.7	11	3	57
GN 3664-50-B8-4	50	-	B8	-	13.5	23.6	41.6	10.7	11	4	58
GN 3664-63-B8-3.2	63	-	B8	-	16	28.1	46.6	12.9	14	3.2	105
GN 3664-63-B8-4	63	-	B8	-	16	28.1	46.6	12.9	14	4	105
GN 3664-63-B8-4.7	63	-	B8	-	16	28.1	46.6	12.9	14	4.7	107
GN 3664-63-B10-3.2	63	-	B10	-	16	28.1	46.6	12.9	14	3.2	101
GN 3664-63-B10-4	63	-	B10	-	16	28.1	46.6	12.9	14	4	101
GN 3664-63-B10-4.7	63	-	B10	-	16	28.1	46.6	12.9	14	4.7	103
GN 3664-80-B10-4	80	-	B10	-	19	34.1	56.2	16.8	17	4	173
GN 3664-80-B10-5.5	80	-	B10	-	19	34.1	56.2	16.8	17	5.5	173
GN 3664-80-B10-7.5	80	-	B10	-	19	34.1	56.2	16.8	17	7.5	175
GN 3664-80-B12-4	80	-	B12	-	19	34.1	56.2	16.8	17	4	167
GN 3664-80-B12-5.5	80	-	B12	-	19	34.1	56.2	16.8	17	5.5	167
GN 3664-80-B12-7.5	80	-	B12	-	19	34.1	56.2	16.8	17	7.5	169



Clamping knobs 2

GN 3664-torque limiting tristar screws

Description	d1	d4	l	d5	d6	h1	h2	Torque ±10% in Nm	⚖️
GN 3664-50-M8-16-2	50	M8	16	13.5	23.6	41.6	10.7	2	75
GN 3664-50-M8-16-3	50	M8	16	13.5	23.6	41.6	10.7	3	75
GN 3664-50-M8-16-4	50	M8	16	13.5	23.6	41.6	10.7	4	76
GN 3664-50-M8-20-2	50	M8	20	13.5	23.6	41.6	10.7	2	70
GN 3664-50-M8-20-3	50	M8	20	13.5	23.6	41.6	10.7	3	70
GN 3664-50-M8-20-4	50	M8	20	13.5	23.6	41.6	10.7	4	71
GN 3664-50-M8-25-2	50	M8	25	13.5	23.6	41.6	10.7	2	72
GN 3664-50-M8-25-3	50	M8	25	13.5	23.6	41.6	10.7	3	72
GN 3664-50-M8-25-4	50	M8	25	13.5	23.6	41.6	10.7	4	73
GN 3664-50-M8-32-2	50	M8	32	13.5	23.6	41.6	10.7	2	74
GN 3664-50-M8-32-3	50	M8	32	13.5	23.6	41.6	10.7	3	74
GN 3664-50-M8-32-4	50	M8	32	13.5	23.6	41.6	10.7	4	75
GN 3664-50-M8-40-2	50	M8	40	13.5	23.6	41.6	10.7	2	76
GN 3664-50-M8-40-3	50	M8	40	13.5	23.6	41.6	10.7	3	76
GN 3664-50-M8-40-4	50	M8	40	13.5	23.6	41.6	10.7	4	77
GN 3664-63-M8-25-3.2	63	M8	25	16	28.1	46.6	12.9	3.2	116
GN 3664-63-M8-25-4	63	M8	25	16	28.1	46.6	12.9	4	116
GN 3664-63-M8-25-4.7	63	M8	25	16	28.1	46.6	12.9	4.7	118
GN 3664-63-M8-32-3.2	63	M8	32	16	28.1	46.6	12.9	3.2	120
GN 3664-63-M8-32-4	63	M8	32	16	28.1	46.6	12.9	4	120
GN 3664-63-M8-32-4.7	63	M8	32	16	28.1	46.6	12.9	4.7	121
GN 3664-63-M8-40-3.2	63	M8	40	16	28.1	46.6	12.9	3.2	82
GN 3664-63-M8-40-4	63	M8	40	16	28.1	46.6	12.9	4	82
GN 3664-63-M8-40-4.7	63	M8	40	16	28.1	46.6	12.9	4.7	83
GN 3664-63-M10-50-3.2	63	M8	50	16	28.1	46.6	12.9	3.2	126
GN 3664-63-M8-50-4	63	M8	50	16	28.1	46.6	12.9	4	126
GN 3664-63-M8-50-4.7	63	M8	50	16	28.1	46.6	12.9	4.7	128
GN 3664-63-M8-63-3.2	63	M8	63	16	28.1	46.6	12.9	3.2	130
GN 3664-63-M8-63-4	63	M8	63	16	28.1	46.6	12.9	4	130
GN 3664-63-M8-63-4.7	63	M8	63	16	28.1	46.6	12.9	4.7	132
GN 3664-50-M10-20-2	50	M10	20	13.5	23.6	41.6	10.7	2	73
GN 3664-50-M10-20-3	50	M10	20	13.5	23.6	41.6	10.7	3	73
GN 3664-50-M10-20-4	50	M10	20	13.5	23.6	41.6	10.7	4	74
GN 3664-50-M10-25-2	50	M10	25	13.5	23.6	41.6	10.7	2	76
GN 3664-50-M10-25-3	50	M10	25	13.5	23.6	41.6	10.7	3	76
GN 3664-50-M10-25-4	50	M10	25	13.5	23.6	41.6	10.7	4	77
GN 3664-50-M10-32-2	50	M10	32	13.5	23.6	41.6	10.7	2	80
GN 3664-50-M10-32-3	50	M10	32	13.5	23.6	41.6	10.7	3	80
GN 3664-50-M10-32-4	50	M10	32	13.5	23.6	41.6	10.7	4	81
GN 3664-50-M10-40-2	50	M10	40	13.5	23.6	41.6	10.7	2	82
GN 3664-50-M10-40-3	50	M10	40	13.5	23.6	41.6	10.7	3	82
GN 3664-50-M10-40-4	50	M10	40	13.5	23.6	41.6	10.7	4	83
GN 3664-50-M10-50-2	50	M10	50	13.5	23.6	41.6	10.7	2	87
GN 3664-50-M10-50-3	50	M10	50	13.5	23.6	41.6	10.7	3	87
GN 3664-50-M10-50-4	50	M10	50	13.5	23.6	41.6	10.7	4	88

GN 3664-torque limiting tristar screws

Description	d1	d4	l	d5	d6	h1	h2	Torque ±10% in Nm	⚖️
GN 3664-63-M10-25-3.2	63	M10	25	16	28.1	46.6	12.9	3.2	122
GN 3664-63-M10-25-4	63	M10	25	16	28.1	46.6	12.9	4	122
GN 3664-63-M10-25-4.7	63	M10	25	16	28.1	46.6	12.9	4.7	124
GN 3664-63-M10-32-3.2	63	M10	32	16	28.1	46.6	12.9	3.2	82
GN 3664-63-M10-32-4	63	M10	32	16	28.1	46.6	12.9	4	82
GN 3664-63-M10-32-4.7	63	M10	32	16	28.1	46.6	12.9	4.7	84
GN 3664-63-M10-40-3.2	63	M10	40	16	28.1	46.6	12.9	3.2	129
GN 3664-63-M10-40-4	63	M10	40	16	28.1	46.6	12.9	4	129
GN 3664-63-M10-40-4.7	63	M10	40	16	28.1	46.6	12.9	4.7	131
GN 3664-63-M10-50-3.2	63	M10	50	16	28.1	46.6	12.9	3.2	134
GN 3664-63-M10-50-4	63	M10	50	16	28.1	46.6	12.9	4	134
GN 3664-63-M10-50-4.7	63	M10	50	16	28.1	46.6	12.9	4.7	136
GN 3664-63-M10-63-3.2	63	M10	63	16	28.1	46.6	12.9	3.2	140
GN 3664-63-M10-63-4	63	M10	63	16	28.1	46.6	12.9	4	140
GN 3664-63-M10-63-4.7	63	M10	63	16	28.1	46.6	12.9	4.7	142
GN 3664-80-M10-25-4	80	M10	25	19	34.1	56.2	16.8	4	194
GN 3664-80-M10-25-5.5	80	M10	25	19	34.1	56.2	16.8	5.5	194
GN 3664-80-M10-25-7.5	80	M10	25	19	34.1	56.2	16.8	7.5	196
GN 3664-80-M10-32-4	80	M10	32	19	34.1	56.2	16.8	4	198
GN 3664-80-M10-32-5.5	80	M10	32	19	34.1	56.2	16.8	5.5	198
GN 3664-80-M10-32-7.5	80	M10	32	19	34.1	56.2	16.8	7.5	200
GN 3664-80-M10-40-4	80	M10	40	19	34.1	56.2	16.8	4	202
GN 3664-80-M10-40-5.5	80	M10	40	19	34.1	56.2	16.8	5.5	202
GN 3664-80-M10-40-7.5	80	M10	40	19	34.1	56.2	16.8	7.5	204
GN 3664-80-M10-50-4	80	M10	50	19	34.1	56.2	16.8	4	208
GN 3664-80-M10-50-5.5	80	M10	50	19	34.1	56.2	16.8	5.5	208
GN 3664-80-M10-50-7.5	80	M10	50	19	34.1	56.2	16.8	7.5	210
GN 3664-80-M10-63-4	80	M10	63	19	34.1	56.2	16.8	4	213
GN 3664-80-M10-63-5.5	80	M10	63	19	34.1	56.2	16.8	5.5	213
GN 3664-80-M10-63-7.5	80	M10	63	19	34.1	56.2	16.8	7.5	215
GN 3664-80-M12-25-4	80	M12	25	19	34.1	56.2	16.8	4	201
GN 3664-80-M12-25-5.5	80	M12	25	19	34.1	56.2	16.8	5.5	201
GN 3664-80-M12-25-7.5	80	M12	25	19	34.1	56.2	16.8	7.5	203
GN 3664-80-M12-32-4	80	M12	32	19	34.1	56.2	16.8	4	205
GN 3664-80-M12-32-5.5	80	M12	32	19	34.1	56.2	16.8	5.5	205
GN 3664-80-M12-32-7.5	80	M12	32	19	34.1	56.2	16.8	7.5	207
GN 3664-80-M12-40-4	80	M12	40	19	34.1	56.2	16.8	4	210
GN 3664-80-M12-40-5.5	80	M12	40	19	34.1	56.2	16.8	5.5	210
GN 3664-80-M12-40-7.5	80	M12	40	19	34.1	56.2	16.8	7.5	212
GN 3664-80-M12-50-4	80	M12	50	19	34.1	56.2	16.8	4	218
GN 3664-80-M12-50-5.5	80	M12	50	19	34.1	56.2	16.8	5.5	218
GN 3664-80-M12-50-7.5	80	M12	50	19	34.1	56.2	16.8	7.5	220
GN 3664-80-M12-63-4	80	M12	63	19	34.1	56.2	16.8	4	227
GN 3664-80-M12-63-5.5	80	M12	63	19	34.1	56.2	16.8	5.5	227
GN 3664-80-M12-63-7.5	80	M12	63	19	34.1	56.2	16.8	7.5	229